

EZSeries 3.5" TFT Panel

3.5" TFT Color EZSeries

EZSeries 3.5" panel has a 3.5" diagonal touch screen with 320x240 pixel resolution. This panel has TFT LCD (liquid crystal display) with 128 colors. It is available with serial drivers and "E" option has Ethernet IP, EZ IP, Modbus TCP/IP, SRTP, Koyo ECOM and TCP/IP for programming.

All these panels have a very low slim profile along with a smaller footprint on enclosures.



3.5" TFT Color models feature:

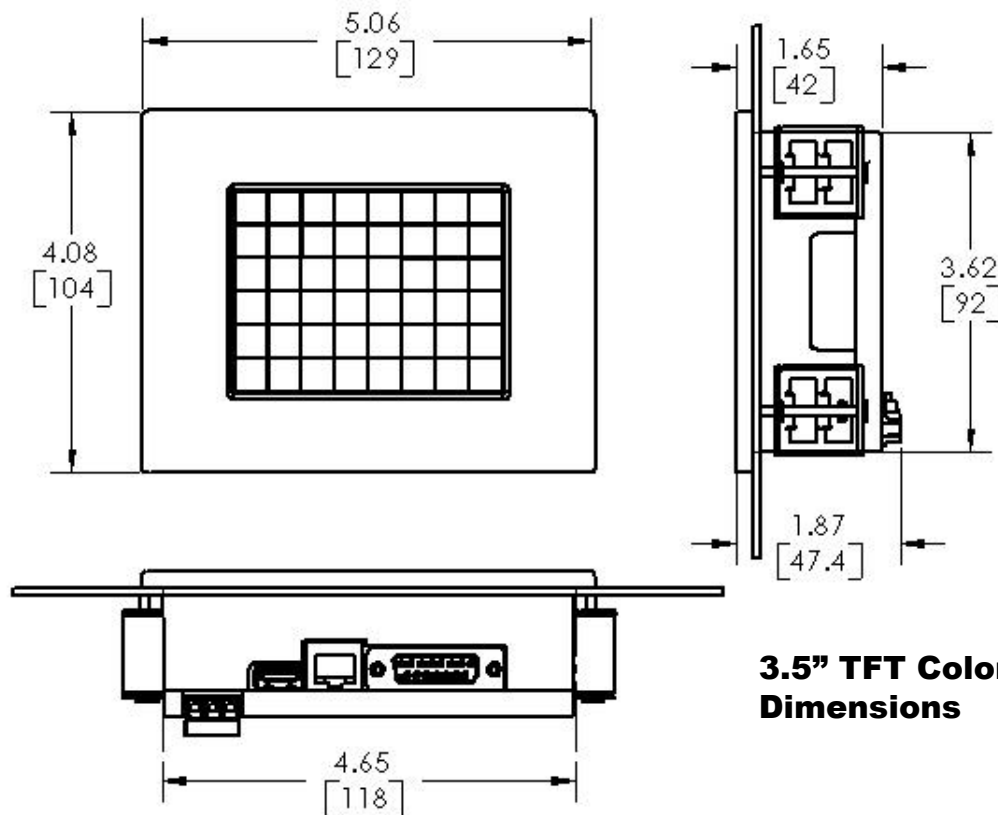
- 3.5" diagonal color TFT LCD
- Low-profile slim bezel design
- 128 colors
- NEMA 4,4X
- 320x240 pixel resolution
- 400 nits brightness
- 75,000 hour expected bulb half-life
- 48 touch cells (8x6)
- 1/4" gasket and four DIN mounting clips
- Has all EZSeries Touchpanel
- Has all 4,000 Library symbols
- Programmed with EZSeries Programming Software

Model Number	Interface	Price	Del.
EZ-T4C-FS	All serial drivers (non-expandable)	\$299	STK
EZ-T4C-FE	Ethernet IP, EZ IP, Modbus TCP/IP, SRTP, Koyo ECOM and TCP/IP for programming	\$399	STK

Notes:

1. These panels do not have a built-in Real-time clock and program back-up battery as the user program stored in flash
2. They do not have the option for use of Network cards such as DH+ or Profibus
3. These panels do not need RMC card for Remote Monitoring and Control, as this function can be performed over either built-in Ethernet port or Serial port

See the different communication interface options available in the chart to the right



3.5" TFT Color Dimensions